

ROSWELL



COLLIER WEBB

[www.collierwebb.com](http://www.collierwebb.com)

# ROSWELL

Our Roswell Light is evocative of Deco and Mid-Century Space Age design and is handcrafted from spun and cast brass. It can be free standing or bar mounted for added security.

The Roswell Light features a frosted acrylic diffuser and the metal work can be specified in any of our standard finishes.

## DIMENSIONS

**Height:** 16"/406mm

**Width:** 12 ½"/318mm

**Base diameter:** 5 ½"/140mm

## BULB TYPE

**UK** E14 2m flex switch on flex - black or white plug - black or white switch

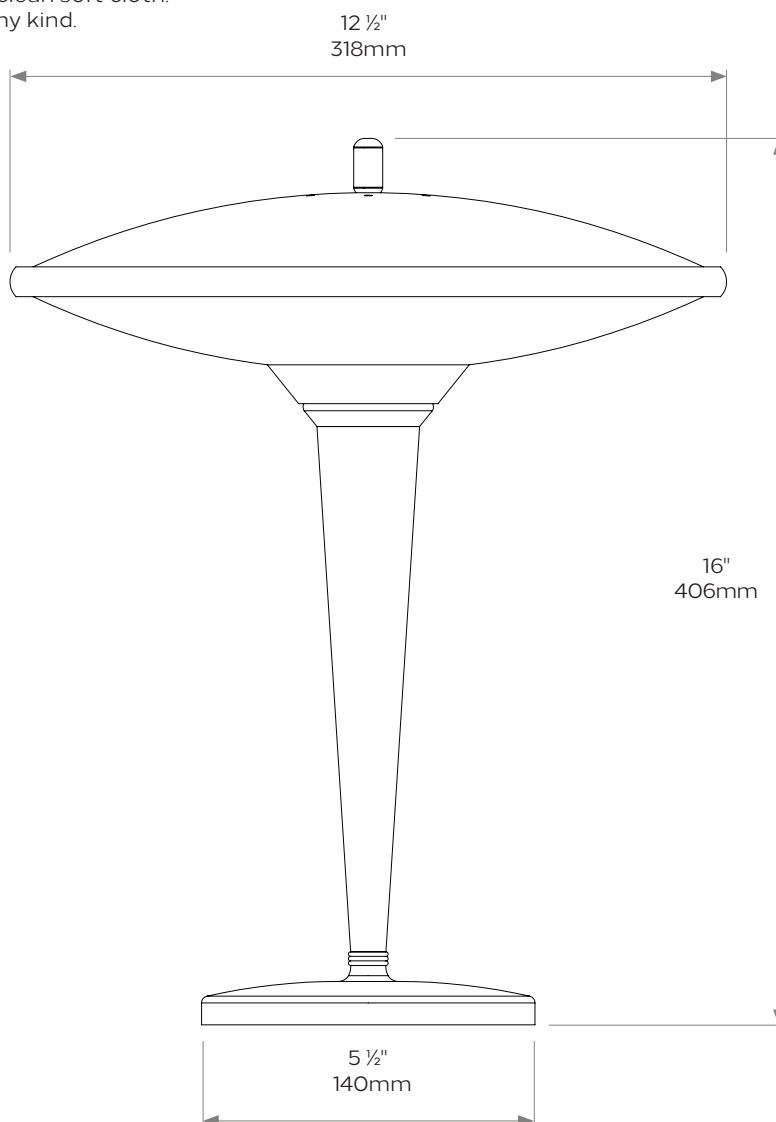
**EU** E14 2m flex switch on flex - black or white euro plug - black or white switch

**US** E12 2m flex - switch 300mm from base - black or white switch - black or white 2 pin plug

**Weight** 6kg/13.25lbs

**Care instructions:** Simply dust regularly with a clean soft cloth. Care should be taken not to use abrasives of any kind.

**Product code** TI048



Due to the hand-crafted nature of some products, stated dimensions may have a tolerance of  $\pm 1/4"/6\text{mm}$ .  
If tighter tolerances are required for a specific installation, please state on your enquiry

## COLLIER WEBB

[www.collierwebb.com](http://www.collierwebb.com)