

# PAGODA SMALL



COLLIER WEBB

HANDCRAFTED IN ENGLAND

# PAGODA SMALL

## DIMENSIONS

Height: 12.6"/320mm

Width: 5.9"/150mm

## FINISHES

Available in any of our standard finishes

## DIMENSIONS

Height: 12.6"/320mm

Width: 5.9"/159mm

## SHADE

EMPL Empire L

## DIMENSIONS

Base: 14"/356mm

Top: 9"/229mm

Slope: 9"/229mm

Overall height: 8.6"/220mm

## BULB

UK E27 LED-2700K

EU E27 LED-2700K

US E26 A-15 LED-2700K

QUANTITY 1

Weight 2.5kg/5.5lbs

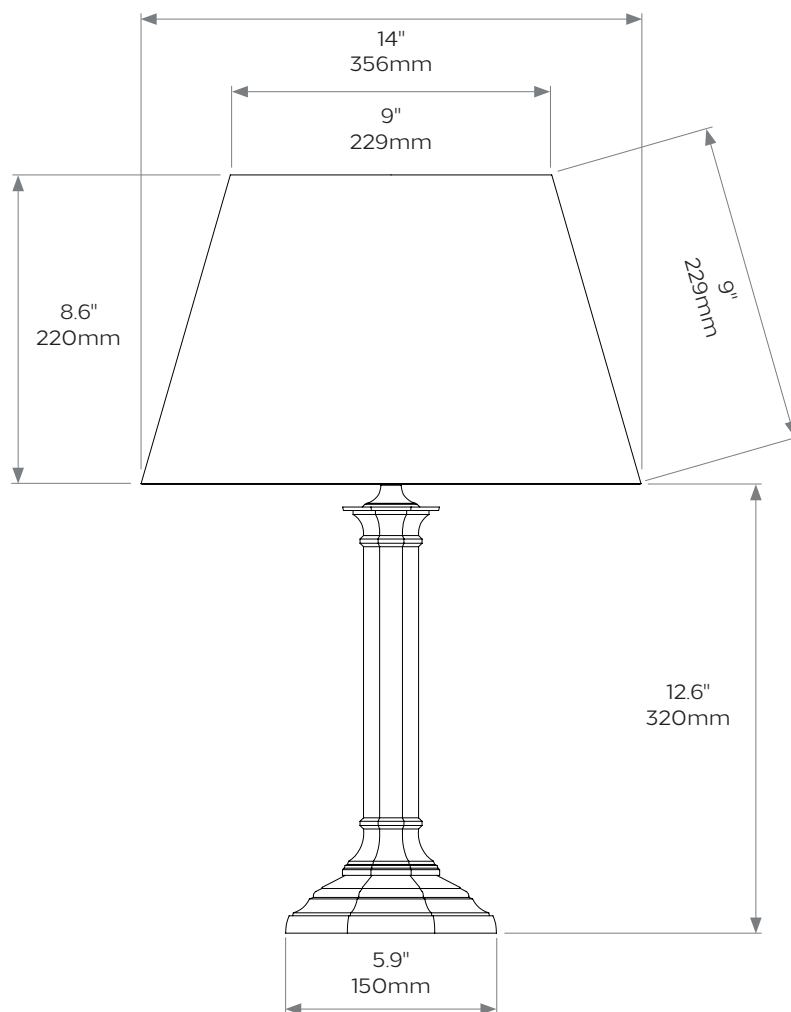
**Care instructions** Simply dust regularly with a clean soft cloth. Care should be taken not to use abrasives of any kind.

**Product code** TL015

Collier Webb products are produced by our skilled team of designers and craftsmen at our South Coast Foundry.

Due to the hand-crafted nature of some products, stated dimensions may have a tolerance of  $\pm 1/4"/6\text{mm}$ . If tighter tolerances are required for a specific installation, please state on your enquiry.

© 2021 Collier Webb Ltd



## COLLIER WEBB

HANDCRAFTED IN ENGLAND

[collierwebb.com](http://collierwebb.com)

Part of The Edward Alexander Group

# PAGODA LARGE



COLLIER WEBB  
HANDCRAFTED IN ENGLAND

# PAGODA LARGE

Our Large Pagoda Light adds classical elegance to any room. Featuring a solid cast brass octagonal column and base.

## DIMENSIONS

**Height:** 18.75"/476mm

**Width:** 6.25"/160mm

## SHADE

EMPXL Empire XL

## DIMENSIONS

**Base:** 18"/457mm

**Top:** 11.5"/292mm

**Slope:** 11.75"/298mm

**Overall height:** 11.3"/287mm

## BULB TYPE

**UK** E27 + Shade rings - 2m flex from base

- switch 300mm from base
- black or white switch
- black or white plug

**EU** E27 + Shade rings - 2m flex from base

- switch 300mm from base
- black or white switch
- black or white euro plug

**US** E26 Turn key or inline switch

- harp fitting
- 2m flex - switch 300mm from base (if needed)
- black or white switch (if needed)
- black or white 2 pin plug

**Weight** 2kg/4.4lbs

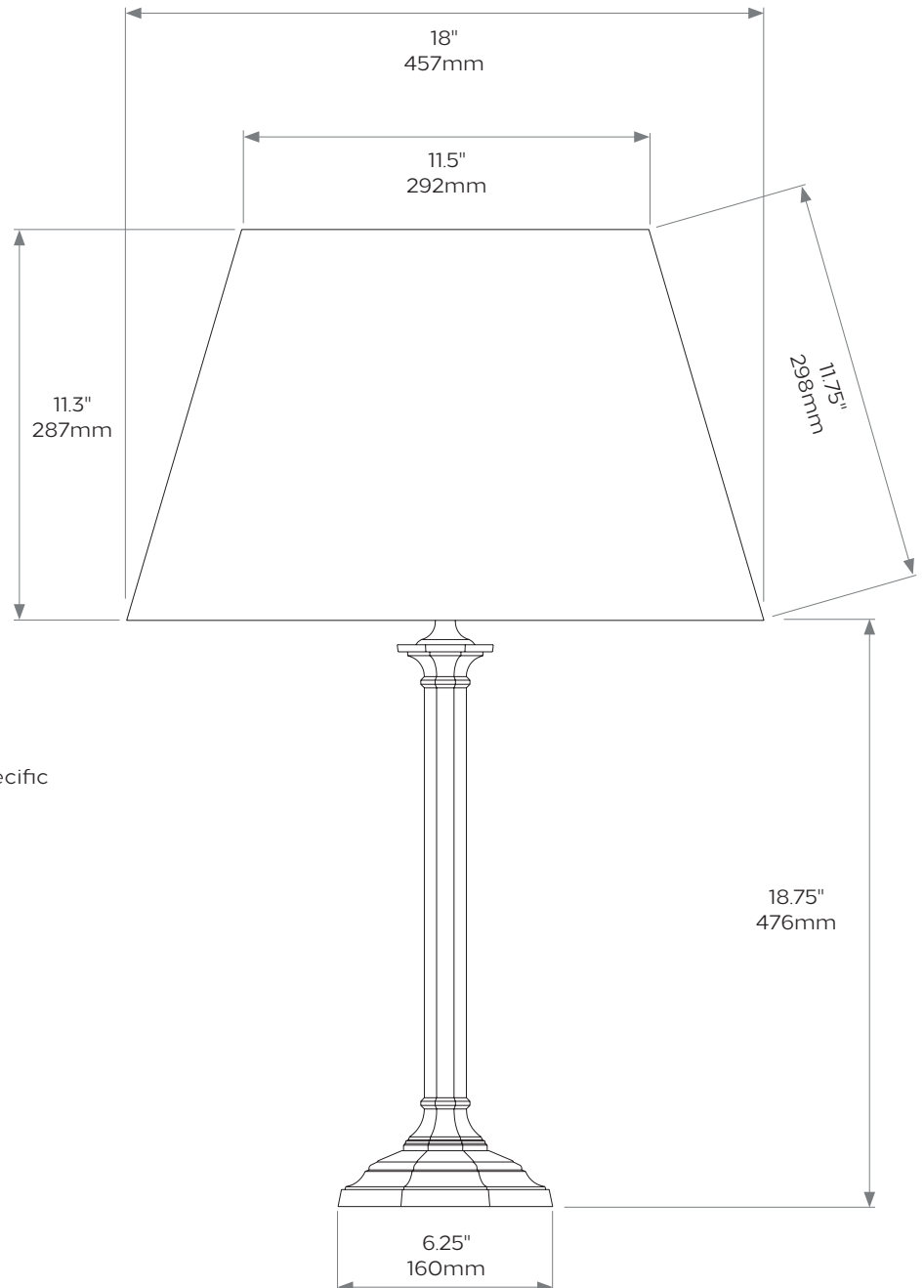
**Care instructions** Simply dust regularly with a clean soft cloth. Care should be taken not to use abrasives of any kind.

**Product code** TL032

Collier Webb products are produced by our skilled team of designers and craftsmen at our South Coast Foundry.

Due to the hand-crafted nature of some products, stated dimensions may have a tolerance of  $\pm 0.25"/6\text{mm}$ . If tighter tolerances are required for a specific installation, please state on your enquiry.

© 2021 Collier Webb Ltd



# COLLIER WEBB

HANDCRAFTED IN ENGLAND

[collierwebb.com](http://collierwebb.com)

Part of The Edward Alexander Group