

BRACKETS

CENTRE
1"/25mm



CENTRE
1.5"/38mm



RING
1"/25mm



**RING BRACKET FOR NON ELECTRIFIED
PICTURE RAIL**

1.5"/38mm



* Please speak to our Sales Team for information on backplate size for an electrified picture rail

END
1"/25mm



END
1.5"/38mm



CENTRE

1"/25mm

DIMENSIONS

Height: 1.7"/43mm

Projection: 3.3"/84mm

Width: 2.4"/61mm

Centre Pole Projection: 1.81"/46mm

Product code F1-CB25

1.5"/38mm

DIMENSIONS

Height: 2.1"/54mm

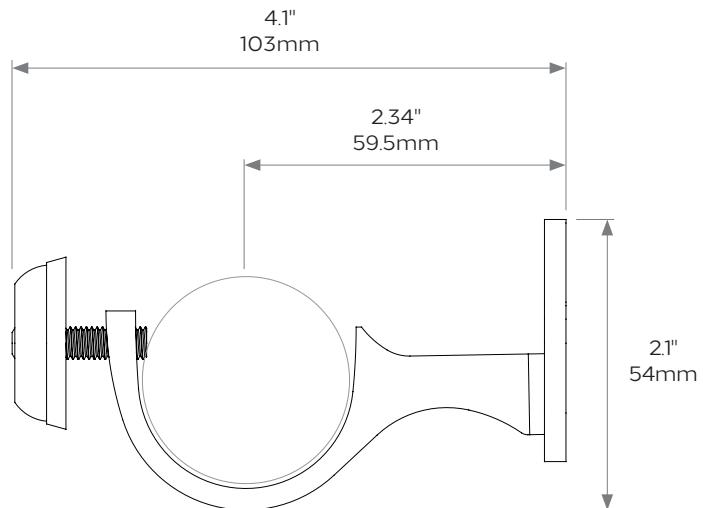
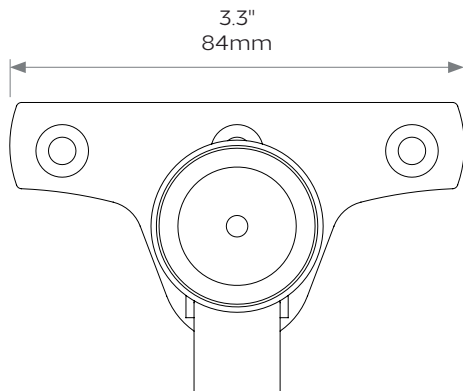
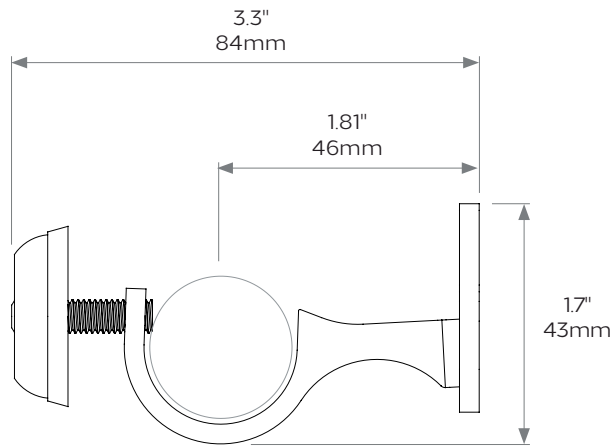
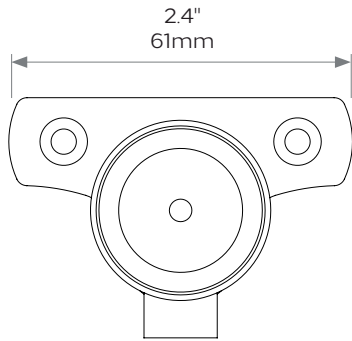
Projection: 4.1"/103mm

Width: 3.3"/84mm

Centre Pole Projection: 2.34"/59.5mm

Product code F1-CB38

Care instructions Simply dust regularly with a clean soft cloth. Care should be taken not to use abrasives of any kind.



Collier Webb products are produced by our skilled team of designers and craftsmen at our South Coast Foundry. Due to the hand-crafted nature of some products, stated dimensions may have a tolerance of $\pm 0.25"/6\text{mm}$. If tighter tolerances are required for a specific installation, please state on your enquiry.

© 2021 Collier Webb Ltd

COLLIER WEBB
HANDCRAFTED IN ENGLAND

RING BRACKET FOR NON ELECTRIFIED PICTURE RAIL

1"/25mm

DIMENSIONS

Projection: 2.5"/64mm

Width: 2.8"/70mm

Centre Pole Projection: 1.81"/46mm

Product code F1-RING25

1.5"/38mm

DIMENSIONS

Projection: 3.5"/89mm

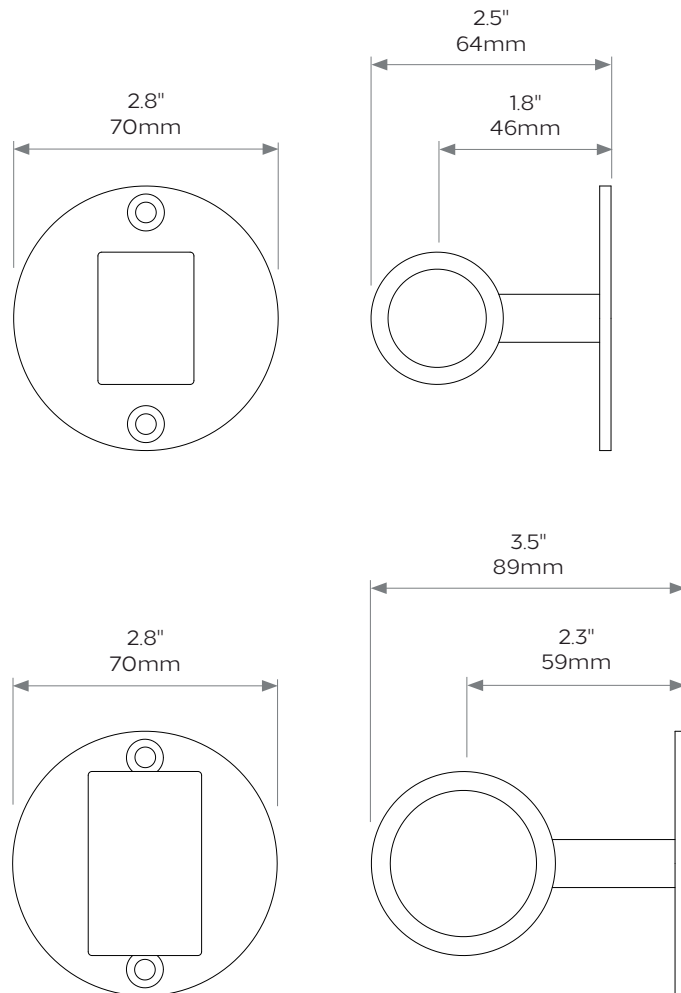
Width: 2.8"/70mm

Centre Pole Projection: 2.3"/59mm

Product code F1-RING38

Please speak to our Sales Team for information on backplate size for an electrified picture rail.

Care instructions Simply dust regularly with a clean soft cloth. Care should be taken not to use abrasives of any kind.



Collier Webb products are produced by our skilled team of designers and craftsmen at our South Coast Foundry. Due to the hand-crafted nature of some products, stated dimensions may have a tolerance of $\pm 0.25"/6\text{mm}$. If tighter tolerances are required for a specific installation, please state on your enquiry.

© 2021 Collier Webb Ltd

COLLIER WEBB
HANDCRAFTED IN ENGLAND

END

1"/25mm

DIMENSIONS

Height: 4.6"/118mm

Projection: 3.2"/81mm

Width: 1.3"/32mm

Centre Pole Projection: 1.8"/45mm

Product code F1-EB25

1.5"/38mm

DIMENSIONS

Height: 5.3"/135mm

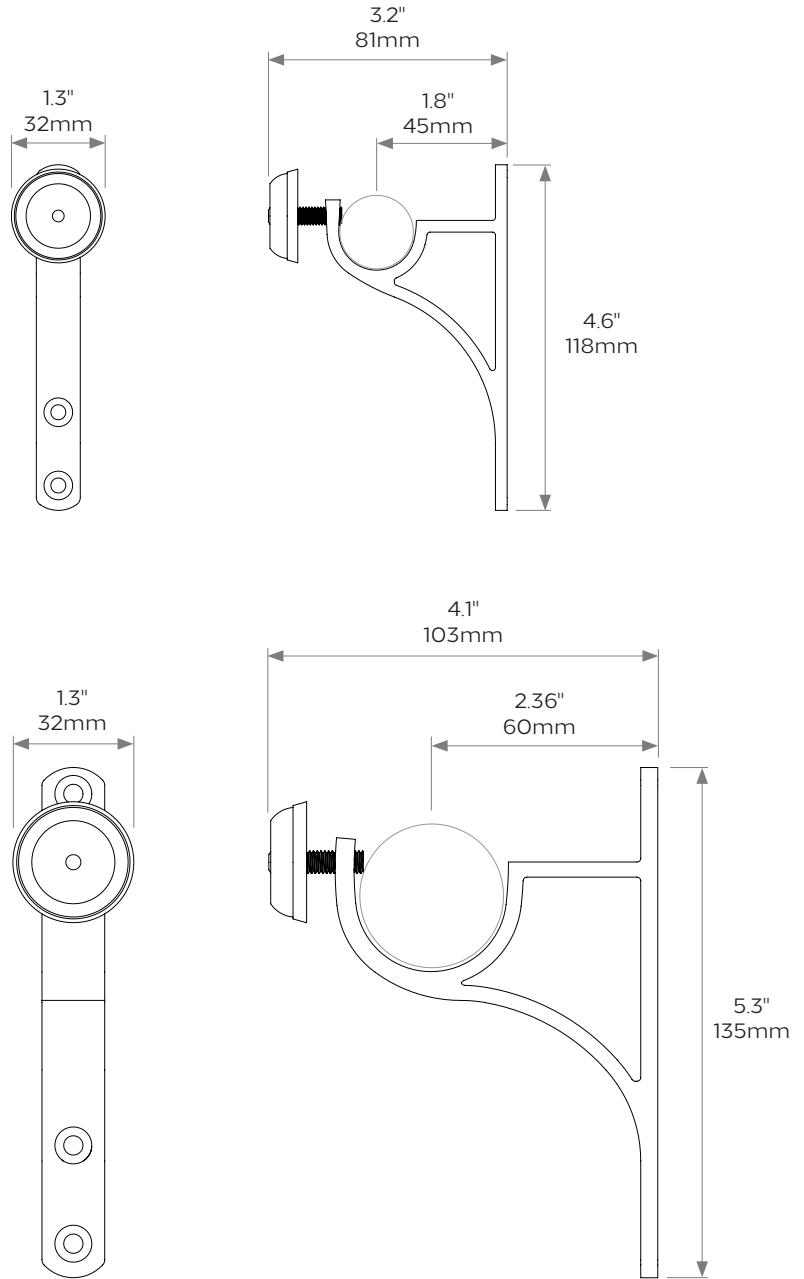
Projection: 4.1"/103mm

Width: 1.3"/32mm

Centre Pole Projection: 2.36"/60mm

Product code F1-EB38

Care instructions Simply dust regularly with a clean soft cloth. Care should be taken not to use abrasives of any kind.



Collier Webb products are produced by our skilled team of designers and craftsmen at our South Coast Foundry. Due to the hand-crafted nature of some products, stated dimensions may have a tolerance of $\pm 0.25"/6\text{mm}$. If tighter tolerances are required for a specific installation, please state on your enquiry.

© 2021 Collier Webb Ltd

COLLIER WEBB
HANDCRAFTED IN ENGLAND