

# FINIALS

HELTER



LANCER



RIBBED



BERRY



PINE CONE



RIBBED BALL



STEPPED END CAP



PLAIN END CAP



## HELTER

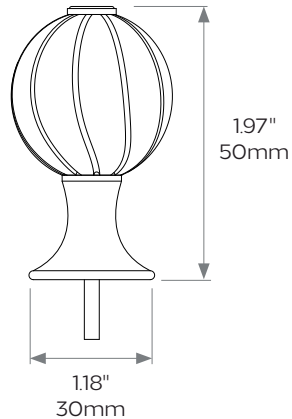
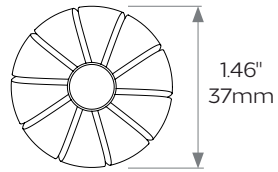
1"/25mm

### DIMENSIONS

**Diameter:** 1.46"/37mm  
**Projection:** 1.97"/50mm  
**Height:** 1.18"/30mm

**Product code** C1-0094F-2J

**Care instructions** Simply dust regularly with a clean soft cloth. Care should be taken not to use abrasives of any kind.



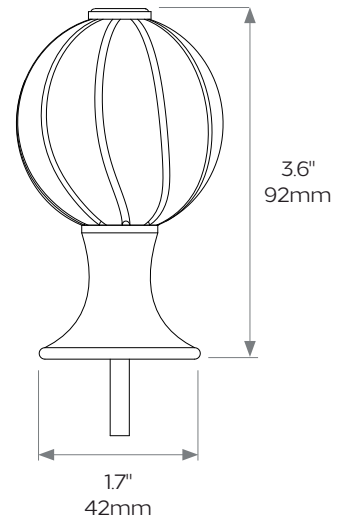
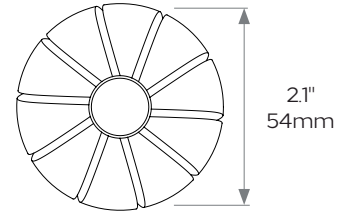
1.5"/38mm

### DIMENSIONS

**Diameter:** 2.1"/54mm  
**Projection:** 3.6"/92mm  
**Height:** 1.7"/42mm

**Product code** C1-0093F-2J

**Care instructions** Simply dust regularly with a clean soft cloth. Care should be taken not to use abrasives of any kind.



## LANCER

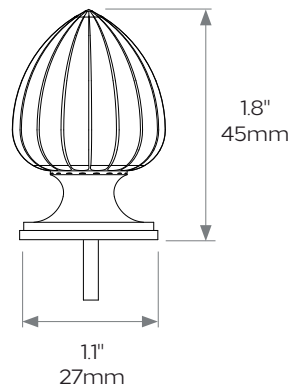
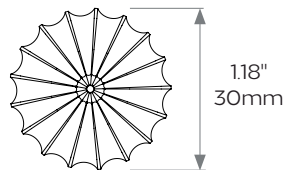
1"/25mm

### DIMENSIONS

**Diameter:** 1.18"/30mm  
**Projection:** 1.8"/45mm  
**Height:** 1.1"/27mm

**Product code** C1-0096F-2J

**Care instructions** Simply dust regularly with a clean soft cloth. Care should be taken not to use abrasives of any kind.



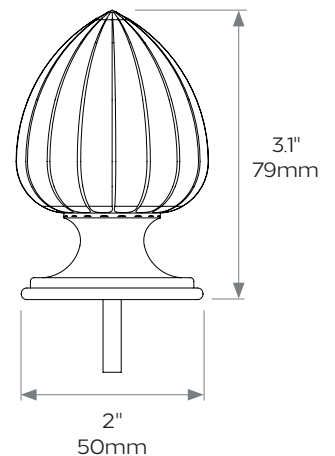
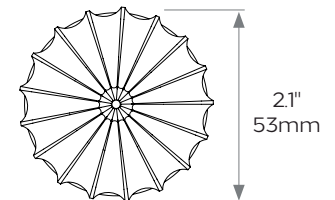
1.5"/38mm

### DIMENSIONS

**Diameter:** 2.1"/53mm  
**Projection:** 3.1"/79mm  
**Height:** 2"/50mm

**Product code** C1-0095F-2J

**Care instructions** Simply dust regularly with a clean soft cloth. Care should be taken not to use abrasives of any kind.



Collier Webb products are produced by our skilled team of designers and craftsmen at our South Coast Foundry. Due to the hand-crafted nature of some products, stated dimensions may have a tolerance of  $\pm 0.25"/6\text{mm}$ . If tighter tolerances are required for a specific installation, please state on your enquiry.

© 2021 Collier Webb Ltd

**COLLIER WEBB**  
HANDCRAFTED IN ENGLAND

## RIBBED

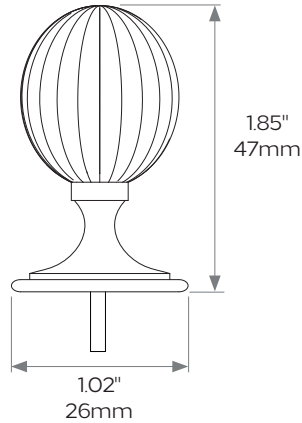
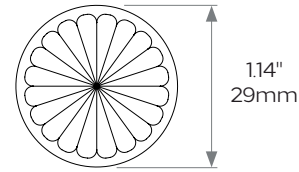
1"/25mm

### DIMENSIONS

**Diameter:** 1.14"/29mm  
**Projection:** 1.85"/47mm  
**Height:** 1.02"/26mm

**Product code** C1-0112F-3C

**Care instructions** Simply dust regularly with a clean soft cloth. Care should be taken not to use abrasives of any kind.



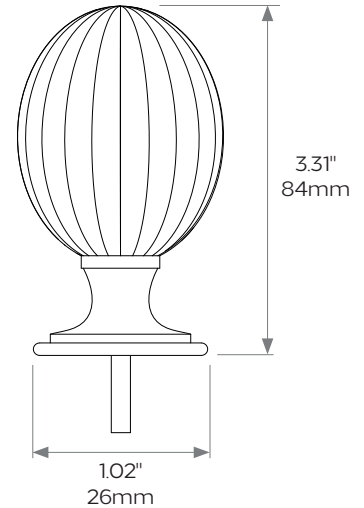
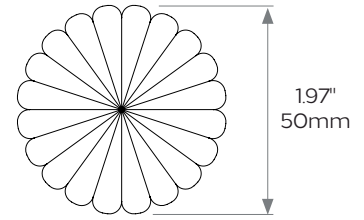
1.5"/38mm

### DIMENSIONS

**Diameter:** 1.97"/50mm  
**Projection:** 3.31"/84mm  
**Height:** 1.02"/26mm

**Product code** C1-0111F-3C

**Care instructions** Simply dust regularly with a clean soft cloth. Care should be taken not to use abrasives of any kind.



## BERRY

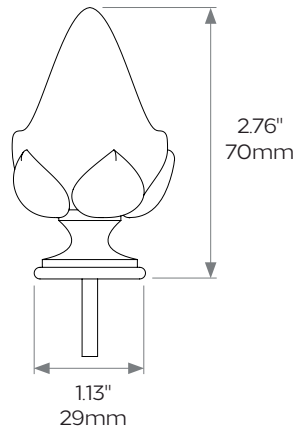
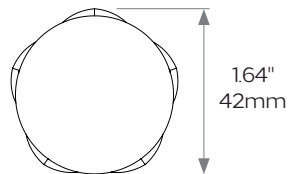
1"/25mm

### DIMENSIONS

**Diameter:** 1.64"/42mm  
**Projection:** 2.76"/70mm  
**Height:** 1.13"/29mm

**Product code** D1-0003-1S

**Care instructions** Simply dust regularly with a clean soft cloth. Care should be taken not to use abrasives of any kind.



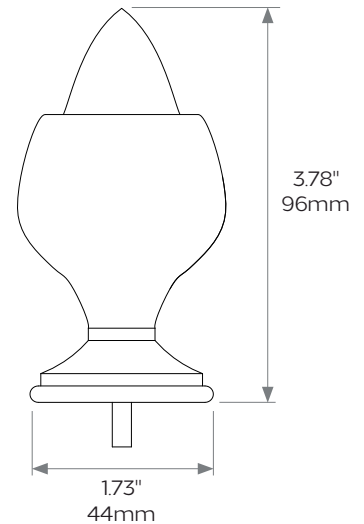
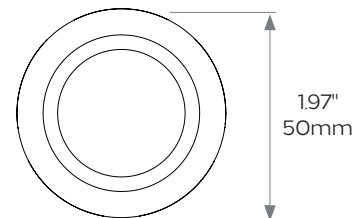
1.5"/38mm

### DIMENSIONS

**Diameter:** 1.97"/50mm  
**Projection:** 3.78"/96mm  
**Height:** 1.73"/44mm

**Product code** D1-0030-1C

**Care instructions** Simply dust regularly with a clean soft cloth. Care should be taken not to use abrasives of any kind.



Collier Webb products are produced by our skilled team of designers and craftsmen at our South Coast Foundry. Due to the hand-crafted nature of some products, stated dimensions may have a tolerance of  $\pm 0.25"/6mm$ . If tighter tolerances are required for a specific installation, please state on your enquiry.

© 2021 Collier Webb Ltd

**COLLIER WEBB**  
HANDCRAFTED IN ENGLAND

## PINE CONE

1"/25mm

### DIMENSIONS

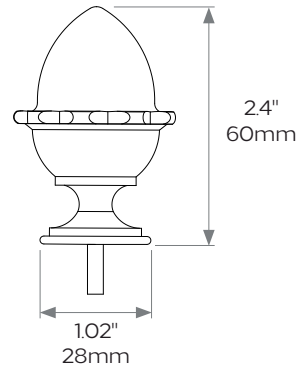
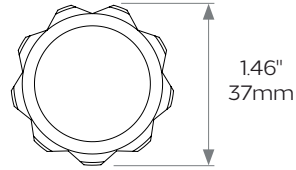
Diameter: 1.46"/37mm

Projection: 2.4"/60mm

Height: 1.02"/28mm

Product code D1-0020-1B

**Care instructions** Simply dust regularly with a clean soft cloth. Care should be taken not to use abrasives of any kind.



1.5"/38mm

### DIMENSIONS

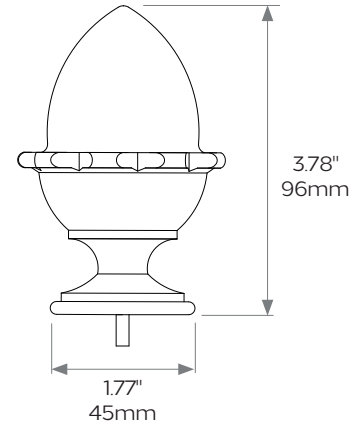
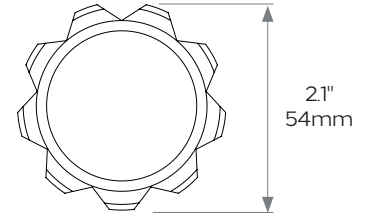
Diameter: 2.1"/54mm

Projection: 3.78"/96mm

Height: 1.77"/45mm

Product code D1-0029-1C

**Care instructions** Simply dust regularly with a clean soft cloth. Care should be taken not to use abrasives of any kind.



## RIBBED BALL

1"/25mm

### DIMENSIONS

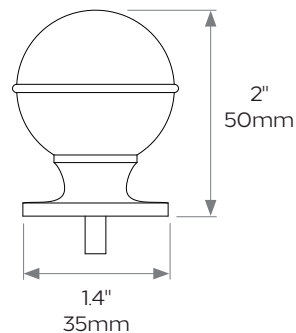
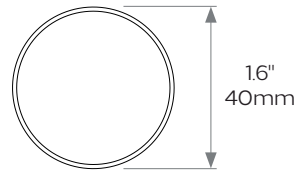
Diameter: 1.6"/40mm

Projection: 2"/50mm

Height: 1.4"/35mm

Product code D1-RBF25-1E

**Care instructions** Simply dust regularly with a clean soft cloth. Care should be taken not to use abrasives of any kind.



1.5"/38mm

### DIMENSIONS

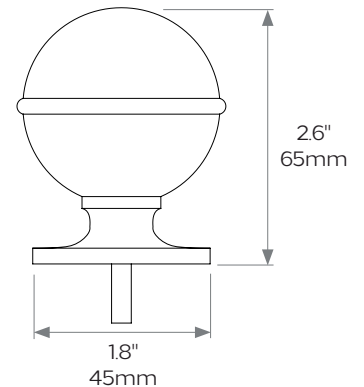
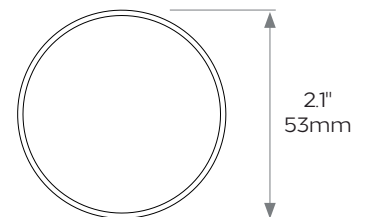
Diameter: 2.1"/53mm

Projection: 2.6"/65mm

Height: 1.8"/45mm

Product code D1-RBF38-1E

**Care instructions** Simply dust regularly with a clean soft cloth. Care should be taken not to use abrasives of any kind.



Collier Webb products are produced by our skilled team of designers and craftsmen at our South Coast Foundry. Due to the hand-crafted nature of some products, stated dimensions may have a tolerance of  $\pm 0.25"/6\text{mm}$ . If tighter tolerances are required for a specific installation, please state on your enquiry.

© 2021 Collier Webb Ltd

# COLLIER WEBB

HANDCRAFTED IN ENGLAND

## STEPPED END CAP

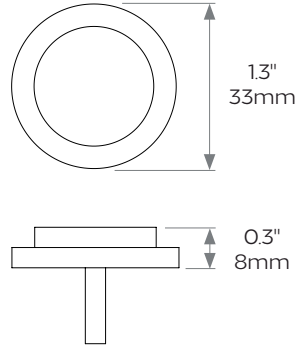
1"/25mm

### DIMENSIONS

Diameter: 1.3"/33mm  
Projection: 0.3"/8mm

Product code F1-SC25-7P

**Care instructions** Simply dust regularly with a clean soft cloth. Care should be taken not to use abrasives of any kind.



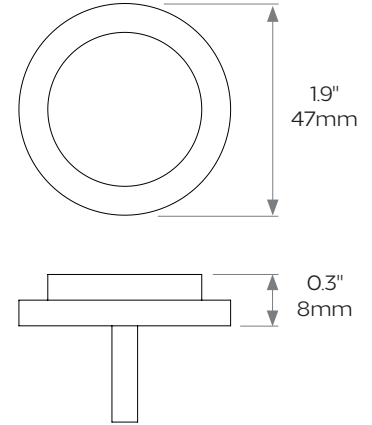
1.5"/38mm

### DIMENSIONS

Diameter: 1.9"/47mm  
Projection: 0.3"/8mm

Product code F1-SC38-7P

**Care instructions** Simply dust regularly with a clean soft cloth. Care should be taken not to use abrasives of any kind.



## PLAIN END CAP

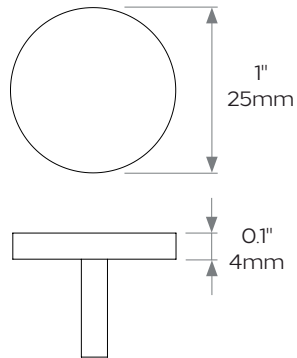
1"/25mm

### DIMENSIONS

Diameter: 1"/25mm  
Projection: 0.1"/4mm

Product code F1-PE25-7P

**Care instructions** Simply dust regularly with a clean soft cloth. Care should be taken not to use abrasives of any kind.



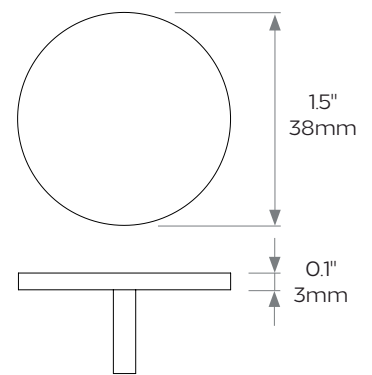
1.5"/38mm

### DIMENSIONS

Diameter: 1.5"/38mm  
Projection: 0.1"/3mm

Product code F1-PE38-7P

**Care instructions** Simply dust regularly with a clean soft cloth. Care should be taken not to use abrasives of any kind.



Collier Webb products are produced by our skilled team of designers and craftsmen at our South Coast Foundry. Due to the hand-crafted nature of some products, stated dimensions may have a tolerance of  $\pm 0.25"/6\text{mm}$ . If tighter tolerances are required for a specific installation, please state on your enquiry.

© 2021 Collier Webb Ltd

**COLLIER WEBB**  
HANDCRAFTED IN ENGLAND