

# ROMAN LANTERN



COLLIER WEBB

[www.collierwebb.com](http://www.collierwebb.com)

# ROMAN LANTERN

Our handcrafted Roman Lantern is an impressive statement piece for entrance halls, stairwells or any large interior space.

It displays the charm and elegance of a bygone era but with simplified elements and a more contemporary feel.

Featuring decorative handcrafted petals to the top and base, turned column details, a hand spun dome and cylindrical glass shade with a four branch candle pendant.

The Roman Lantern is available in any of our standard finishes and is supplied fully wired with a single pendant, 0.9m of colour matched chain and a cast ceiling rose.

## DIMENSIONS

**Height:** 28 ½"/725mm

**Width:** 16 ½"/420mm

## BULB TYPE

**UK** E14 Bulb holder with candle holders or OSH fittings depending on size

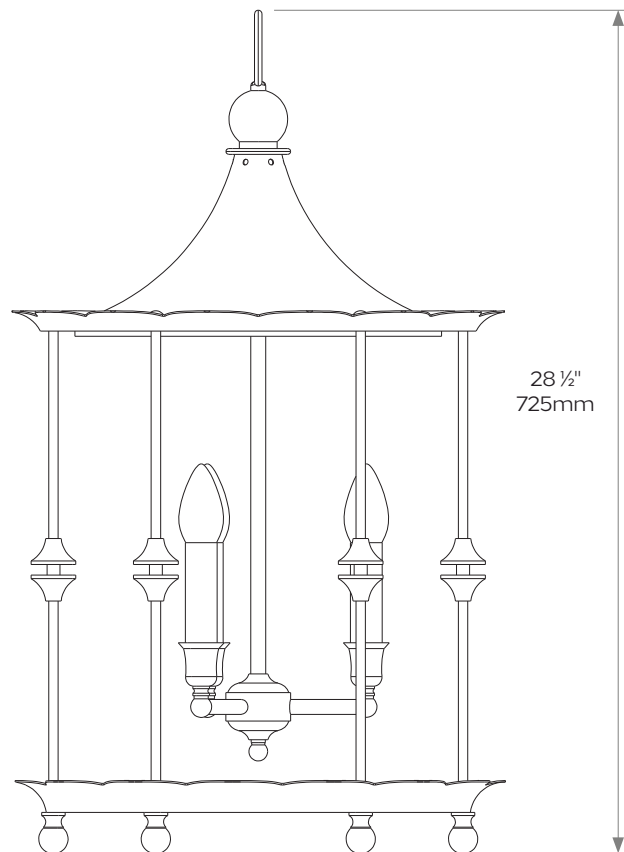
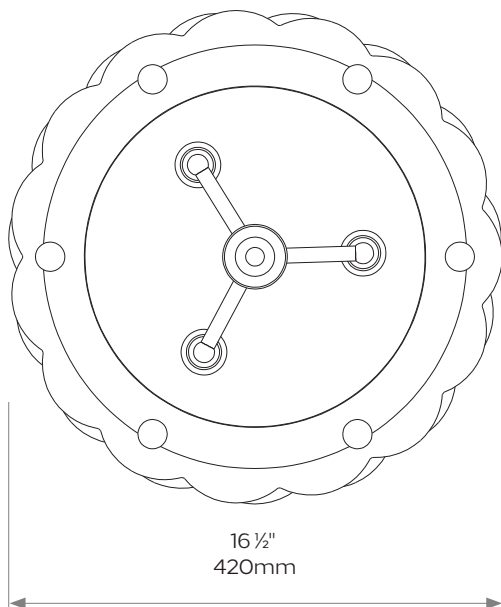
**EU** E14 Bulb holder with candle holders or OSH fittings depending on size

**US** E12 Bulb holder with candle holders or OSH fittings depending on size

**Weight** 15kg/33lbs

**Care instructions:** Simply dust regularly with a clean soft cloth. Care should be taken not to use abrasives of any kind.

**Product code** HL009/OS



Due to the hand-crafted nature of some products, stated dimensions may have a tolerance of  $\pm 1/4"/6\text{mm}$ .  
If tighter tolerances are required for a specific installation, please state on your enquiry

## COLLIER WEBB

[www.collierwebb.com](http://www.collierwebb.com)